

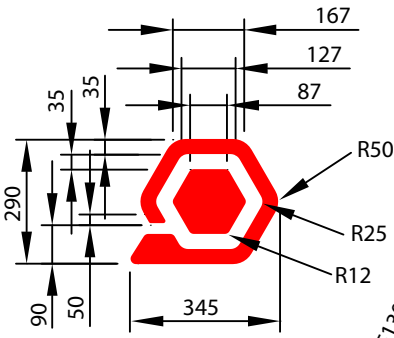
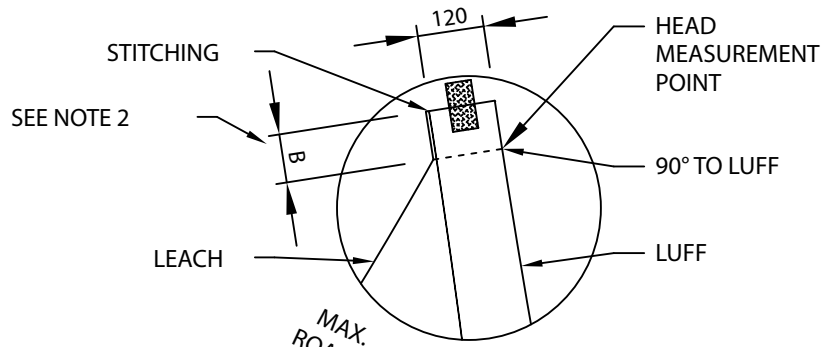
NOTE

1. CORNER REINFORCING SHALL FALL WITHIN A 650mm ARC CENTRED ON THE MEASUREMENT POINT.

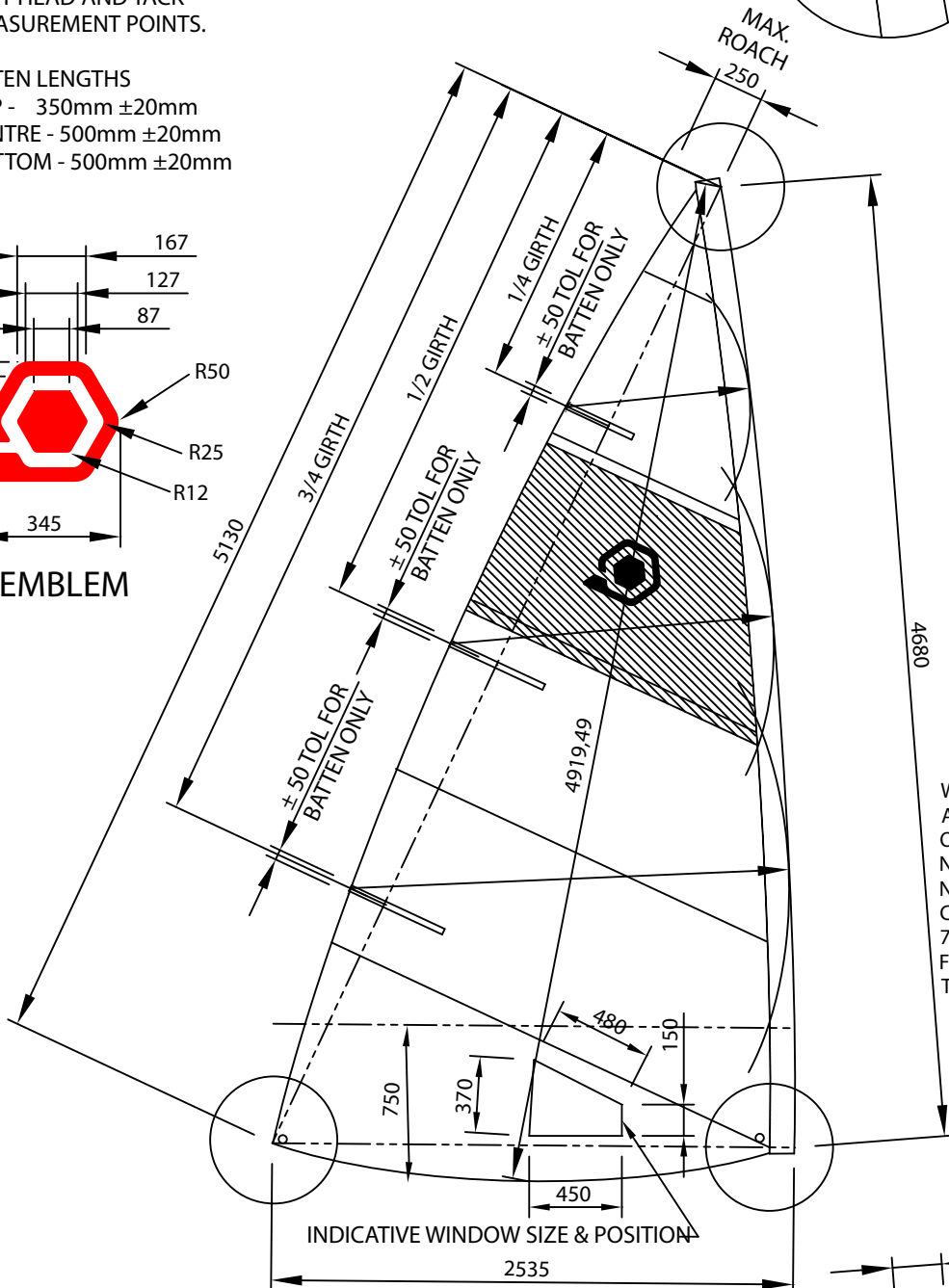
2. SUM TOTAL EXTENSION OF LUFF POCKET (A+B) SHALL NOT BE GREATER THAN 100mm PAST HEAD AND TACK MEASUREMENT POINTS.

BATTEN LENGTHS

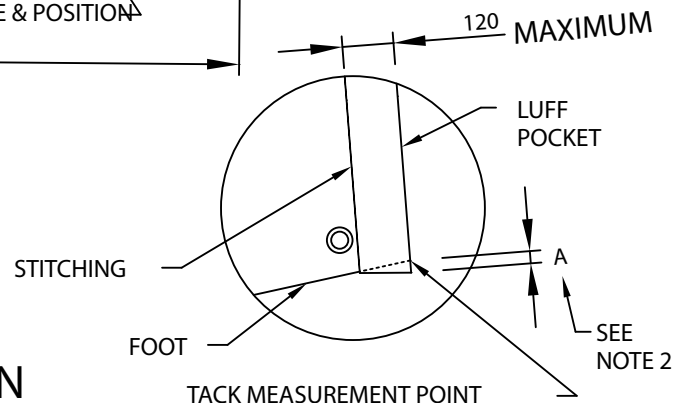
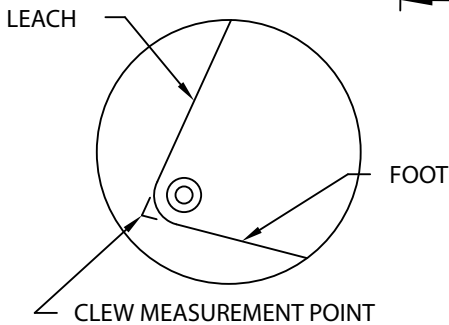
TOP - 350mm ±20mm
 CENTRE - 500mm ±20mm
 BOTTOM - 500mm ±20mm



SPIRAL EMBLEM



WINDOW IS TO HAVE AN AREA NO GREATER THAN 0.3 SQR METRES AND NO EDGE CAN EXCEED 750 MM NO PART OF THE WINDOW CAN EXTEND MORE THAN 750MM MEASURED VERTICALLY FROM THE LOWEST PART OF THE FOOT OF THE SAIL



SAIL PLAN

(TO BE READ IN CONJUNCTION WITH RULE 9)

FIG. 8