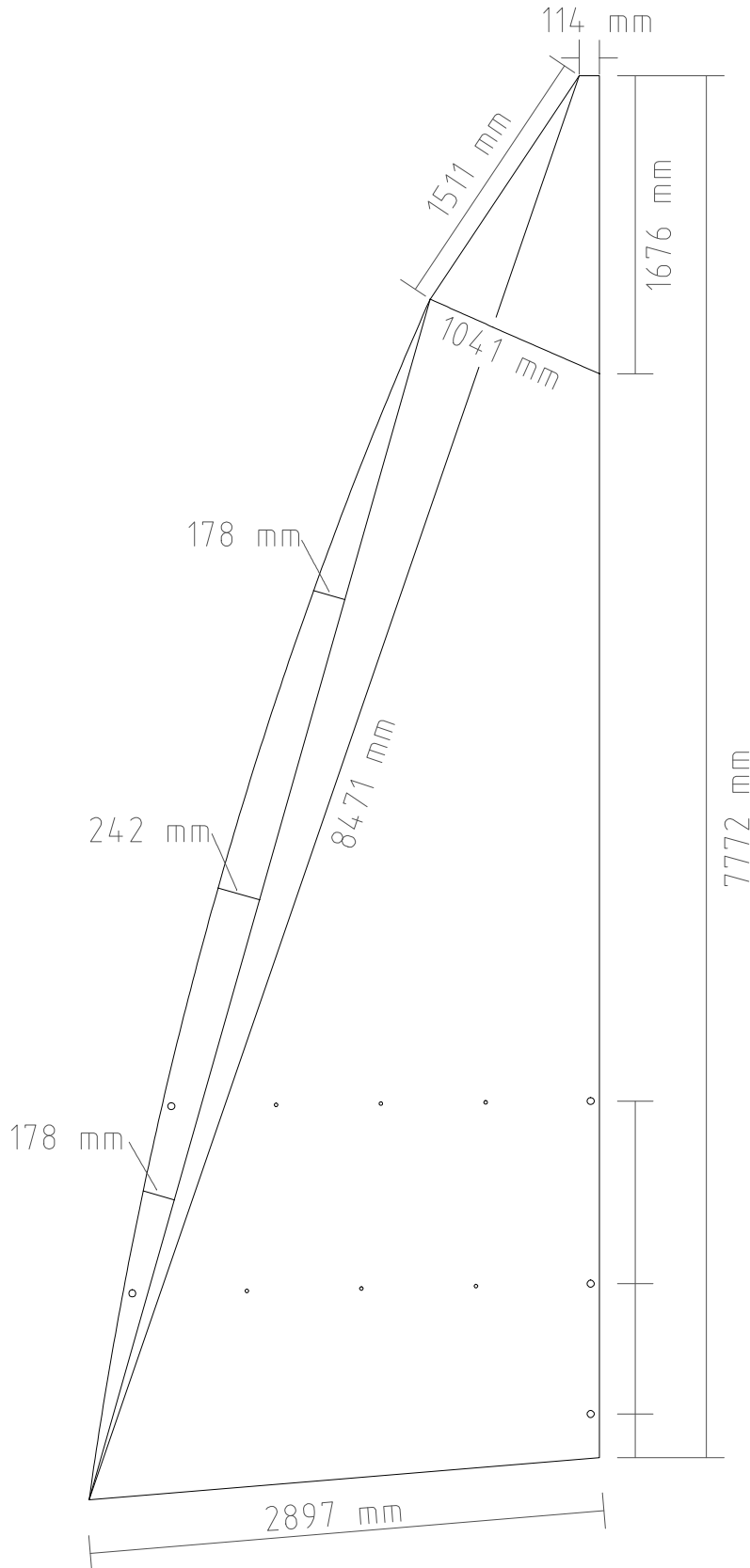


MAINSAIL

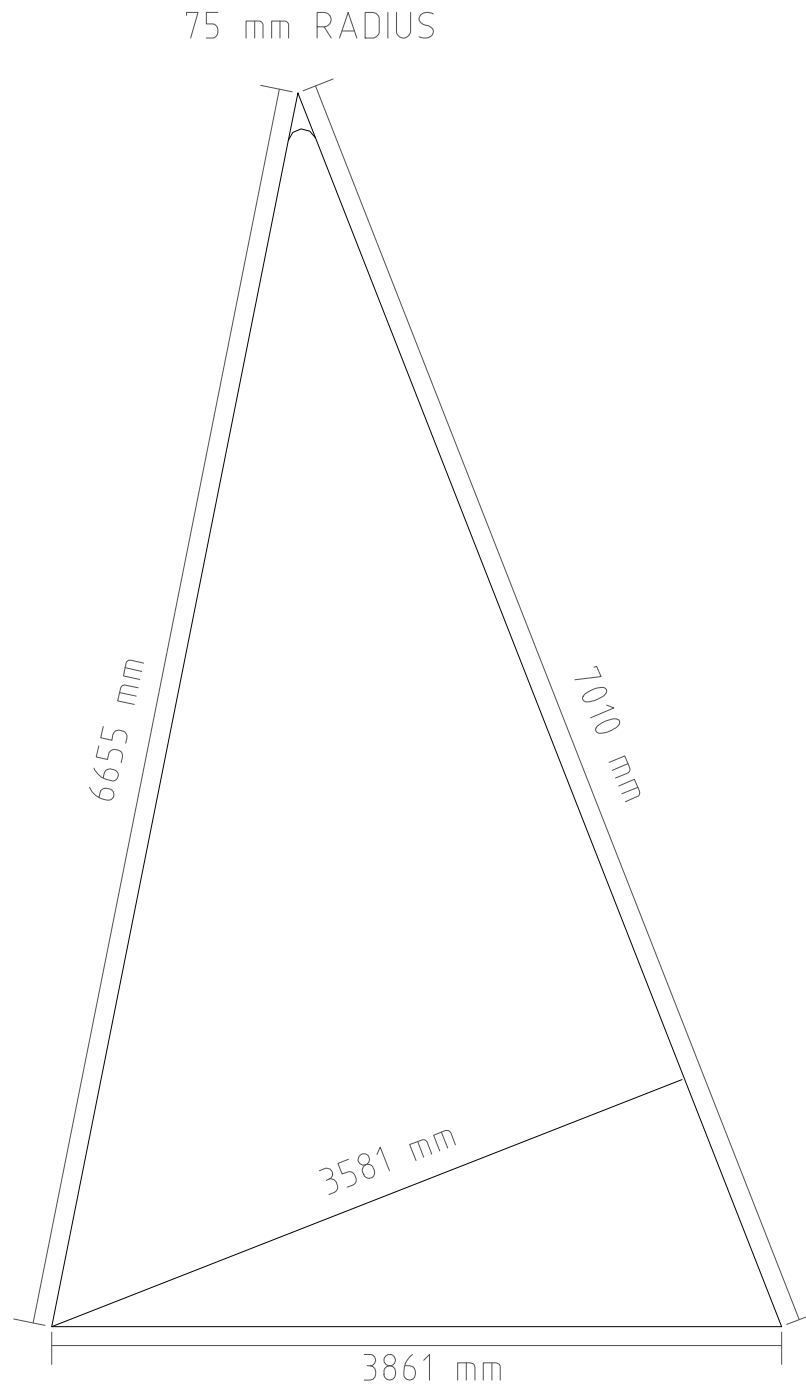
(DRAWING NOT TO SCALE)



ALL DIMENSIONS SHOWN
ARE MAXIMUM MEASUREMENTS

HEADSAIL #1

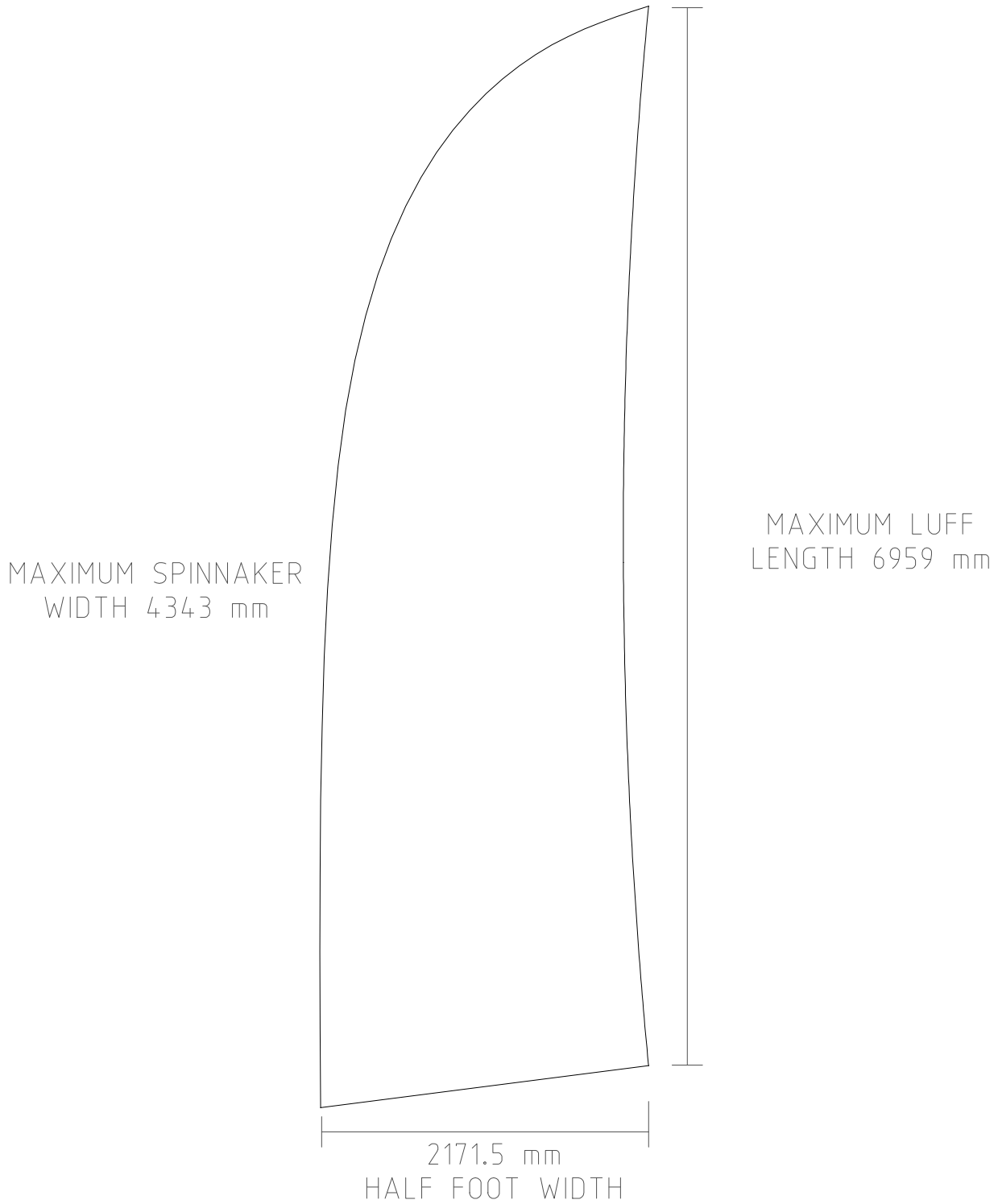
(DRAWING NOT TO SCALE)



ALL DIMENSIONS SHOWN
ARE MAXIMUM MEASUREMENTS
(note - #2 & #3 headsails not shown)

SPINNAKER

(DRAWING NOT TO SCALE)



ALL DIMENSIONS SHOWN
ARE MAXIMUM MEASUREMENTS