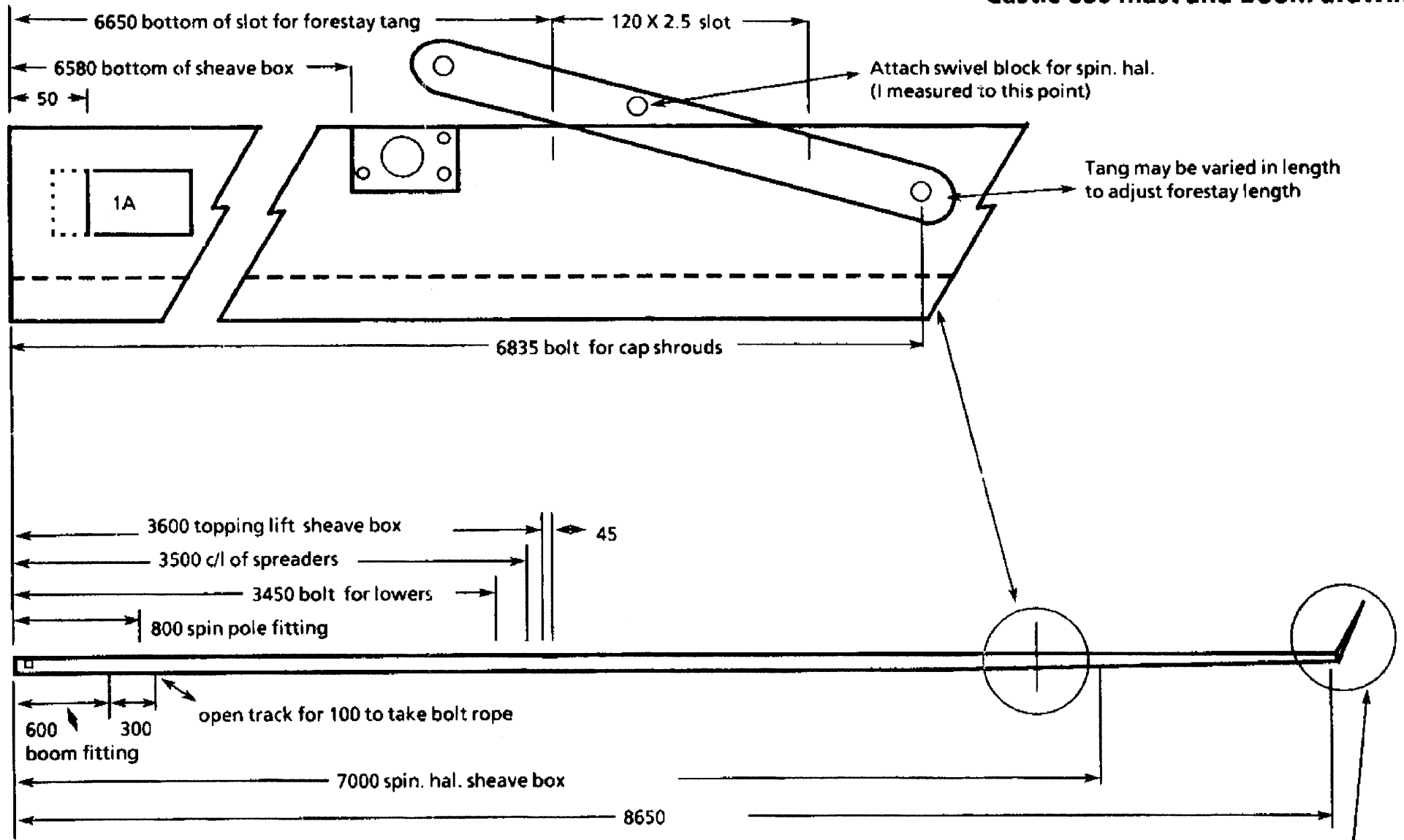


Castle 650 mast and Boom drawings

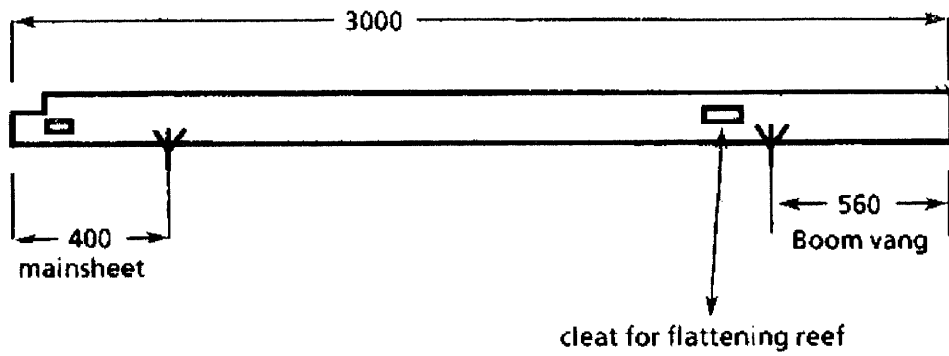


1A Sheave box in each side of mast (Vertically displaced as shown)

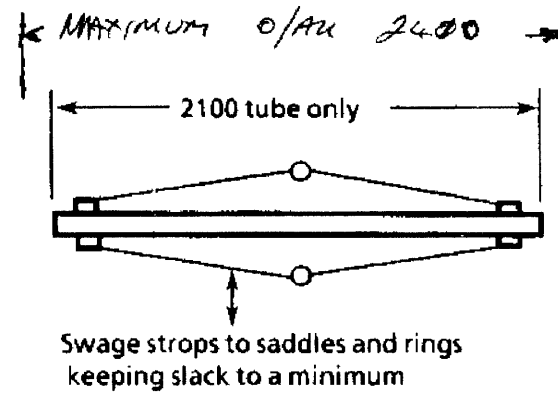
See masthead details

All dimensions in millimeters.

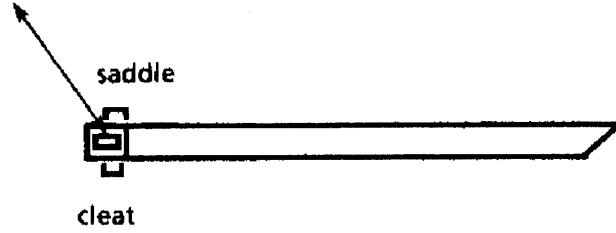
Main Boom



Spinnaker pole



sheave box for flattening reef



Masthead details

